

Low Smoke Generator

Low Smoke Generator

LOW SMOKE GENERATOR

Compare to a Dry Ice Machine

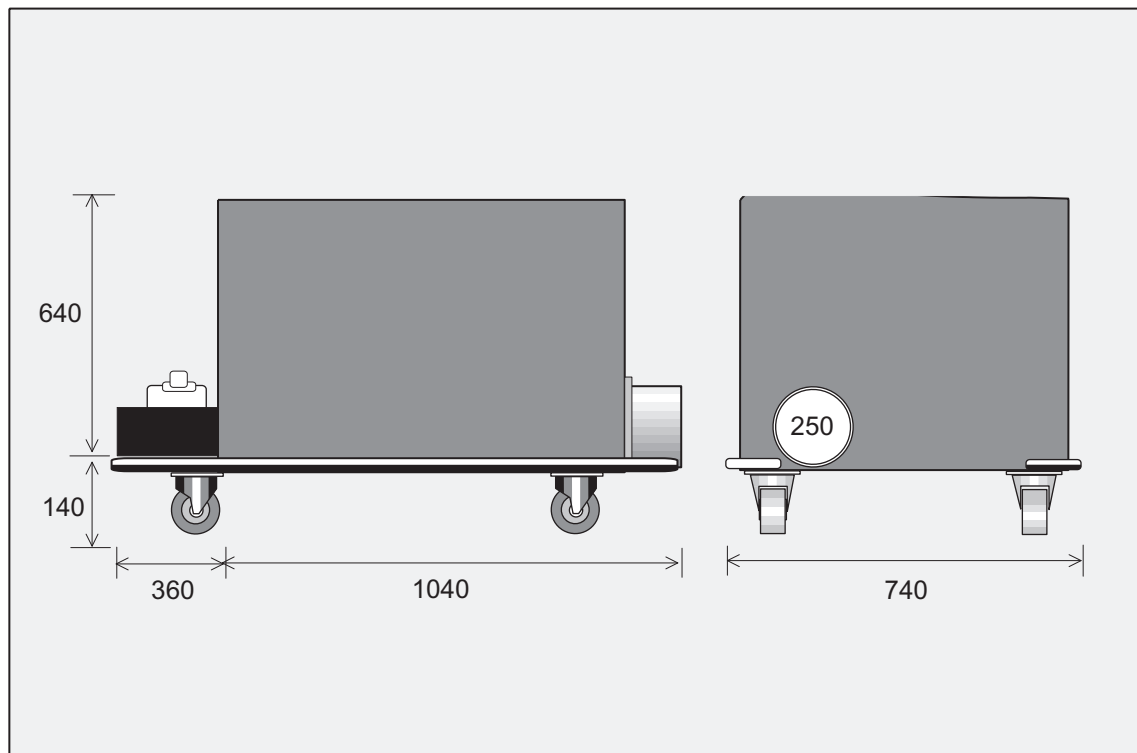
- Cheap long-term running cost.
- Remote control operation is possible.
(signal control is possible)
- Simple maintenance.
- Operation's person is unnecessary.
- Doesn't wet the floor.



Furthermore, Heavy Fog differences;

- To jet the low pressure liquefied carbon dioxide for cooling, so there is no complicated mechanism and it cannot break easily.
- Eject large quantities of smoke.
- Corresponds to DMX.

fig/size



SPEC

Power supply	Main body weight	LCO2 consumption rate	Liquid consumption rate	Liquid amount
AC200V/30A	200kg	Maximum 3.5kg/min	Maximum 7cc/sec	2litres

- Low pressure liquefied carbon dioxide (W500xH1550) contains a total of 160kg for body weight of 300kg.