

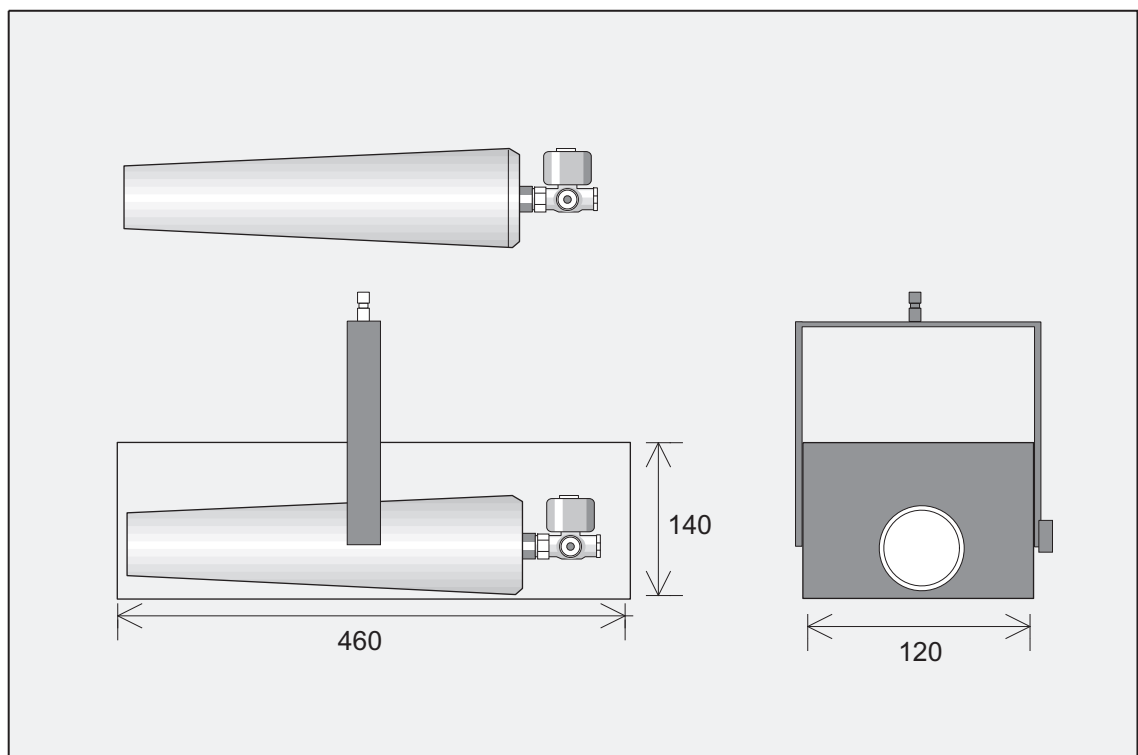
CO2 Snow Horn

SNOW HORN

Cold flakes will fall, then melt completely.



fig/size



SPEC

Power supply	Weight (with fan)	Rate of snowfall
AC100V/0.2A	4kg(30kg)	30sec/7kg 150sec/30kg 30min/160kg

! According to length of high pressure hose, timing of snowfall 20m/16sec at low pressure, 20m/13sec at high pressure.