

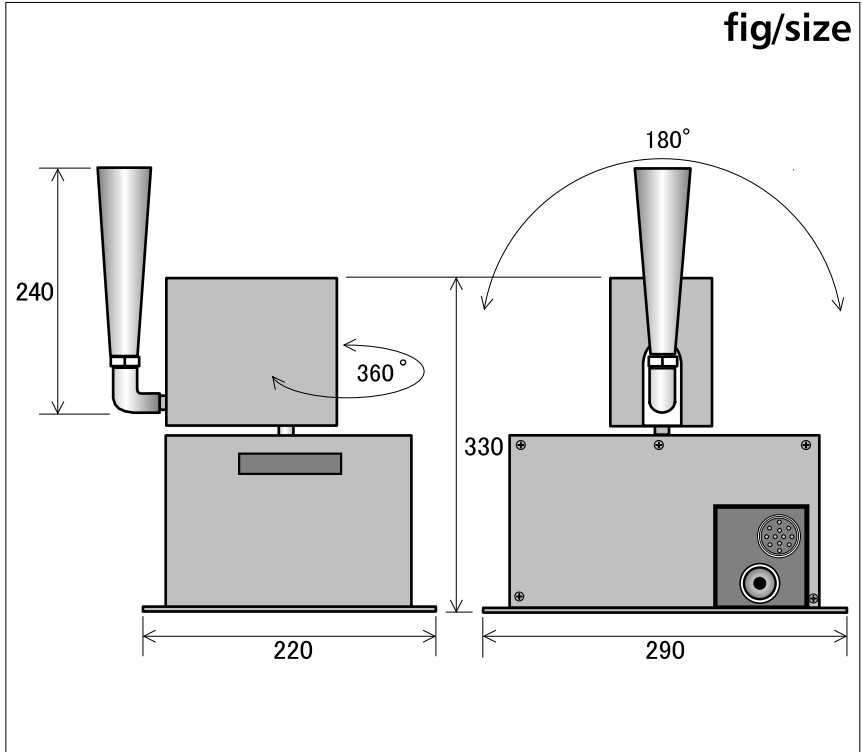
■ ジェットスピナ プロ

Motion Control Moving CO2

JET-SPINA PRO

fig/size

- ・完全コンピューター制御
- ・completely computer operated.



■ SPEC

電源 Power supply	重量 Weight	垂直回転 Vertical	水平回転 Horizontal
AC100V/30A (6machines)	11kg	0-180°	0-360°

ジェットスピナpro USA特許証書
Jet Spina Pro USA Patent certificate

United States Patent (19) [11] Patent Number: 5,011,522
Suzuki [43] Date of Patent: Apr. 30, 1991

[54] BLOWER FOR THE PRODUCTION OF A MIST OR THE LIKE Primary Examiner—Ronald C. Capostella
[75] Inventor: Toshihiko Suzuki, Machida, Japan Attorney Agent or Firm—McGlew & Tuttle
[73] Assignee: Daiichi Canada Inc., Montreal, Canada [57] ABSTRACT
[21] Appl. No.: 402,342 The present invention relates to a blower for the production of a mist or the like (e.g., a smoke, a fog, etc.). The blower comprises a condenser means able to convey liquid carbon dioxide (CO₂) and a support means, said condenser means having an inlet means suitable for introducing liquid CO₂ therewithin and an outlet means able to discharge liquid CO₂ to the atmosphere so as to form a mist or the like, said inlet means being fixed to said support means, characterized in that, said outlet means is rotatably coupled to said inlet means, said outlet means being rotatable about a first axis of rotation.

[51] Int. Cl. F25J 4/00
[52] U.S. Cl. 62/12, 62/15, 62/348
[53] Field of Search 62/12, 35, 76, 330, 62/314, 348
[56] References Cited
U.S. PATENT DOCUMENTS
3,861,168 1/1975 Sayen 62/165 20 Claims, 3 Drawing Sheets